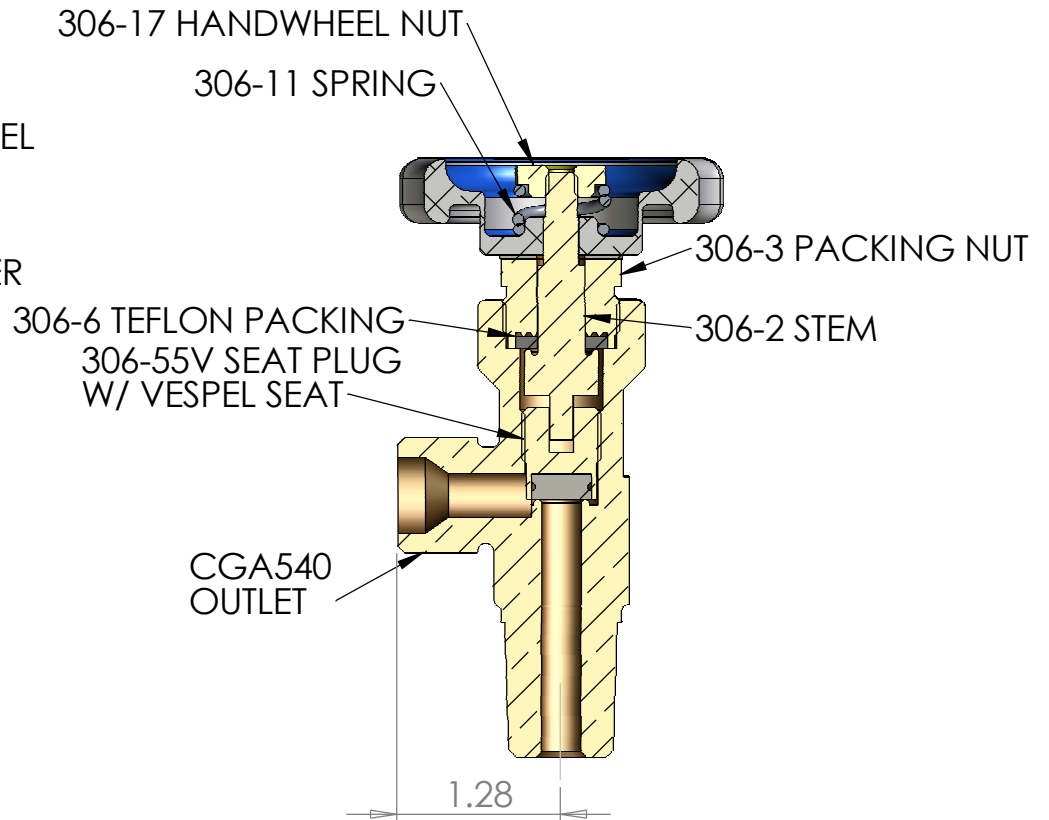


DIMENSIONS ARE APPROXIMATE



SECTION A-A
SCALE 1 : 1.5

SPECIFICATIONS:
 VALVE BODY - BRASS
 SEAT PLUG - BRASS W/ VESPEL SEAT
 STEM - BRASS
 PACKING NUT - BRASS
 PACKING - VIRGIN TEFLON
 MAXIMUM OPERATING PRESSURE - 5000 PSI
 REFERENCE CGA PUBLICATION V-1 FOR OUTLET
 PRESSURE RATINGS WHERE APPLICABLE
 Cv FACTOR - 1.11

	NAME	DATE	WESTERN VALVE		
DRAWN	DCH	07/14/11	TITLE: 1306N30AV VALVE		
CHECKED	DCH	07/14/11			
MFG APPR.	DCH	07/14/11			
COMMENTS:			SIZE	DWG. NO.	REV
			A	1306N30AV	
			SCALE: 1:2	WEIGHT:	SHEET 1 OF 1